



DESKTOP DYNAMIC MICROPHONE

MD-200A8X

Technical Supplement

©2001 VERTEX STANDARD CO., LTD. Printed in Japan.

VERTEX STANDARD CO., LTD.
4-8-8 Nakameguro, Meguro-Ku, Tokyo 153-8644, Japan

VERTEX STANDARD
US Headquarters
10900 Walker Street, Cypress, CA 90630, U.S.A.

YAESU EUROPE B.V.
P.O. Box 75525, 1118 ZN Schiphol, The Netherlands

YAESU UK LTD.
Unit 12, Sun Valley Business Park, Winnall Close
Winchester, Hampshire, SO23 0LB, U.K.

VERTEX STANDARD HK LTD.
Unit 5, 20/F., Seaview Centre, 139-141 Hoi Bun Road,
Kwun Tong, Kowloon, Hong Kong

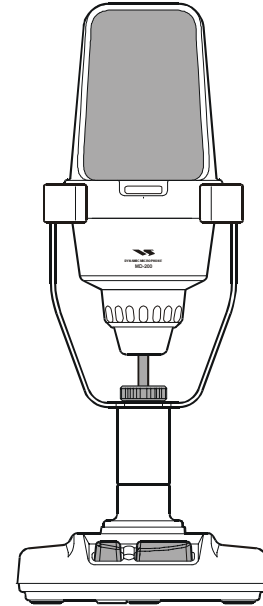
Introduction

The **MD-200A8X** Desktop Microphone is designed for base station operation with the latest generation of Yaesu HF transceivers, including those with VHF/UHF capability. Designed especially for ultra-low distortion and the highest fidelity, the **MD-200A8X** includes a new-technology "Variable Side Pressure Control" (VSPC), which allows precise adjustment of the microphone's audio response without resorting to "active" equalization circuits that can introduce distortion and/or degrade signal-to-noise ratio.

Servicing this equipment requires expertise in handling surface mount chip components. Attempts by unqualified persons to service this equipment may result in permanent damage not covered by warranty.

While we believe the technical information in this manual is correct, VERTEX STANDARD assumes no liability for damage that may occur as a result of typographical or other errors that may be present. Your cooperation in pointing out any inconsistencies in the technical information would be appreciated.

VERTEX STANDARD reserves the right to make changes in this transceiver and the alignment procedures, in the interest of technological improvement, without notification of owners.



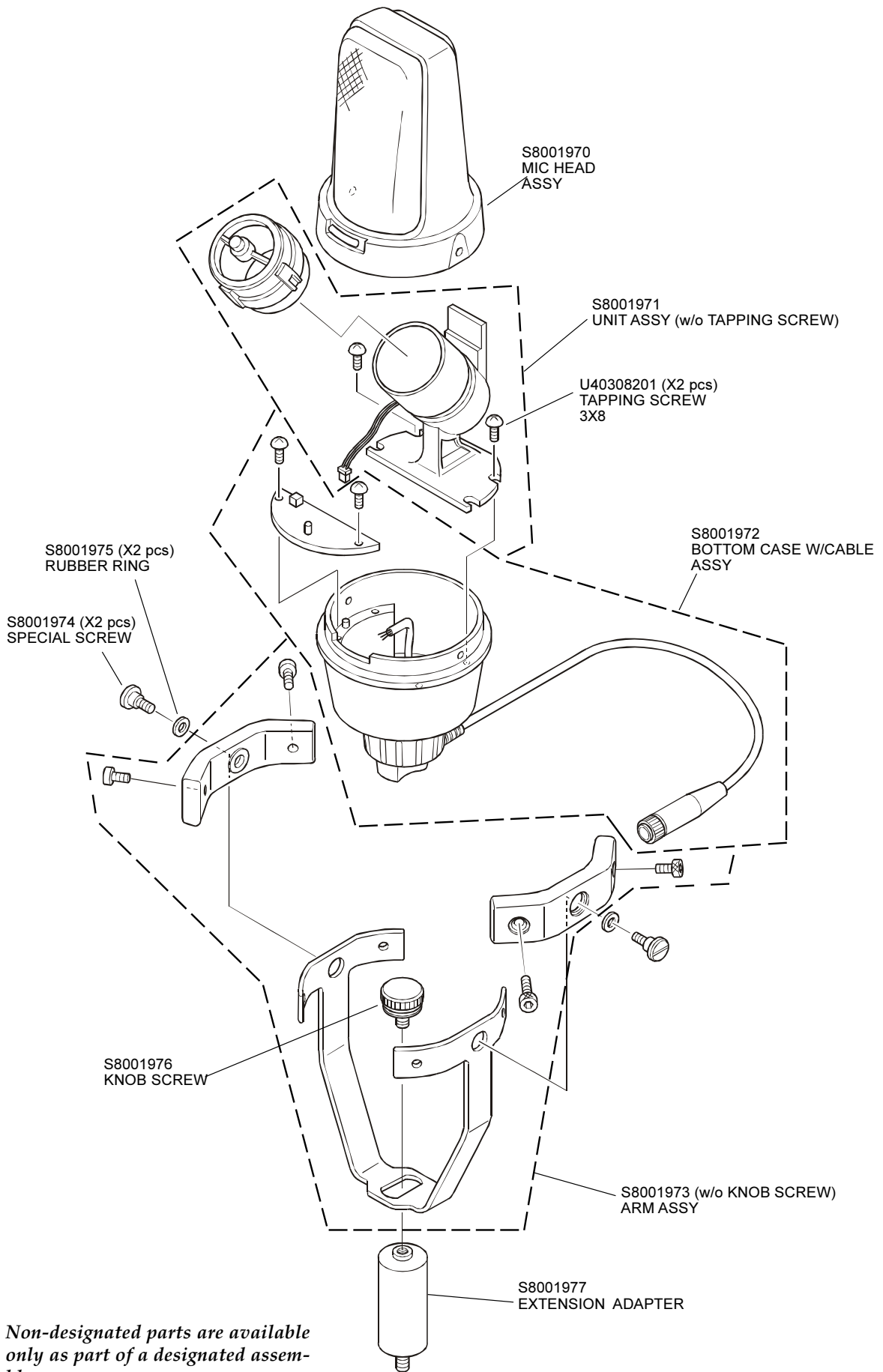
Specifications

Microphone Element Type:	Dynamic
Frequency Range:	30 - 17000 Hz
Sensitivity:	-62 dB (1 kHz, 0 dB = 1 V/1 pa)
Impedance:	600 Ohms
Dimensions (WHD):	4.7" x 11.4" x 4.9" (120 x 290.5 x 124.5 mm)
Weight:	Approx. 2.2 lb. (1 kg.)

Specifications are subject to change without notice or obligation.

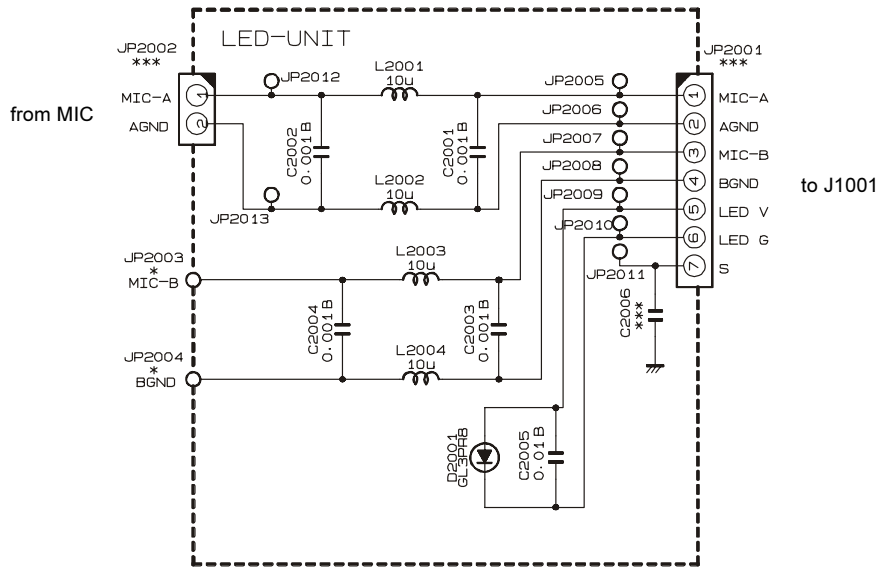


Exploded Views & Mechanical Parts

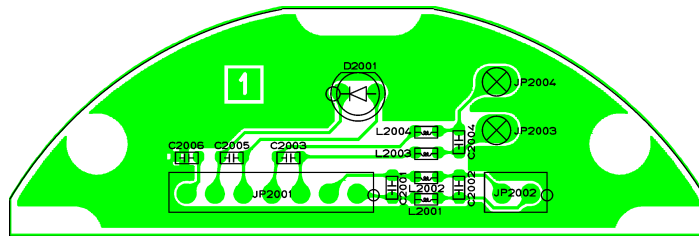


Circuit Diagram

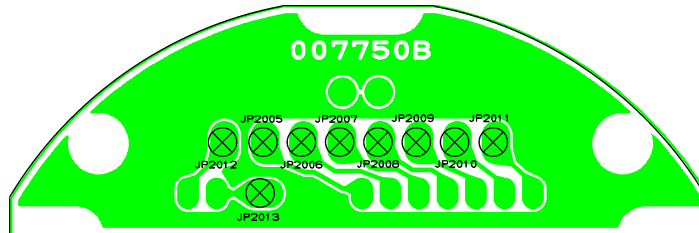
LED Unit Circuit Diagram



LED Unit Parts Layout



Side A



Side B

—